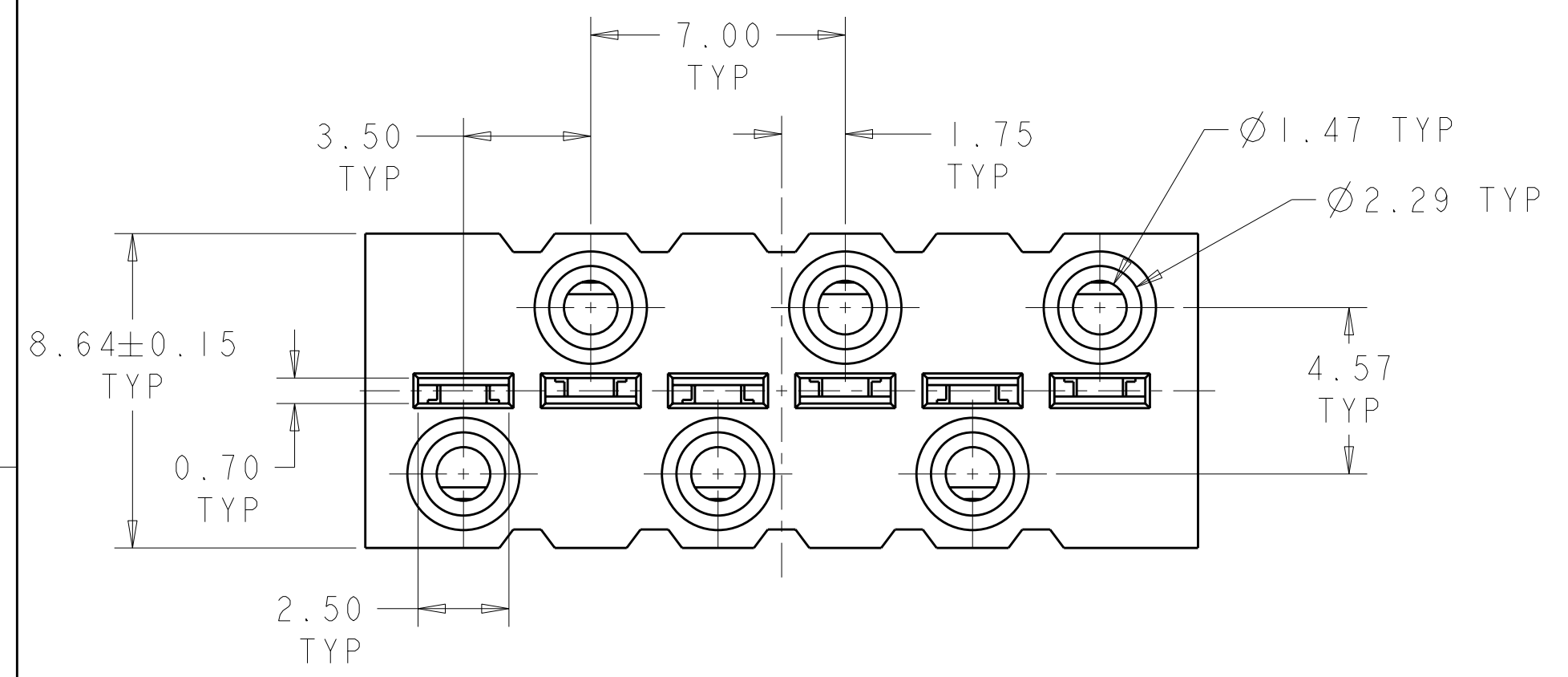
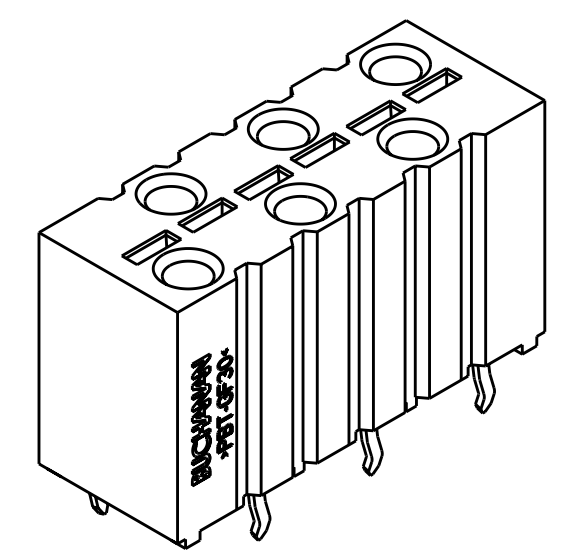


THIS DRAWING IS UNPUBLISHED. RELEASED FOR PUBLICATION 20  
 © COPYRIGHT 20 BY TYCO ELECTRONICS CORPORATION. ALL INTERNATIONAL RIGHTS RESERVED.

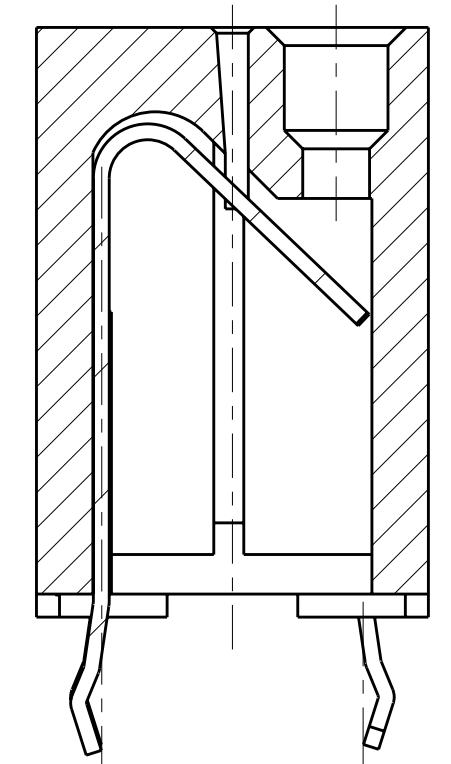
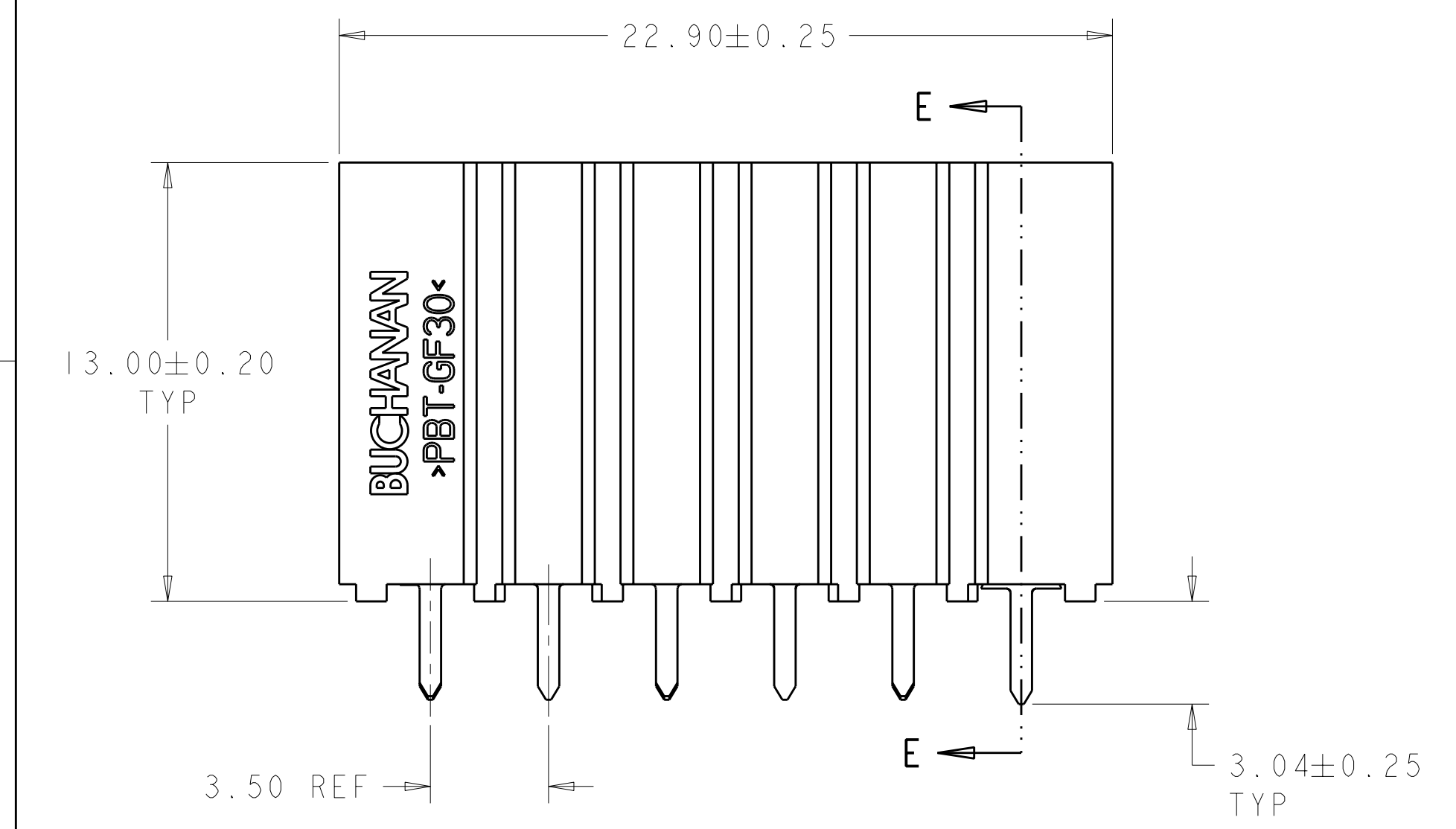
LOC	DIST	REVISIONS			
P	LTR	DESCRIPTION	DATE	DWN	APVD
FT	0	A	REVISED PER ECR-10-022258	11NOV2010	HMR DD



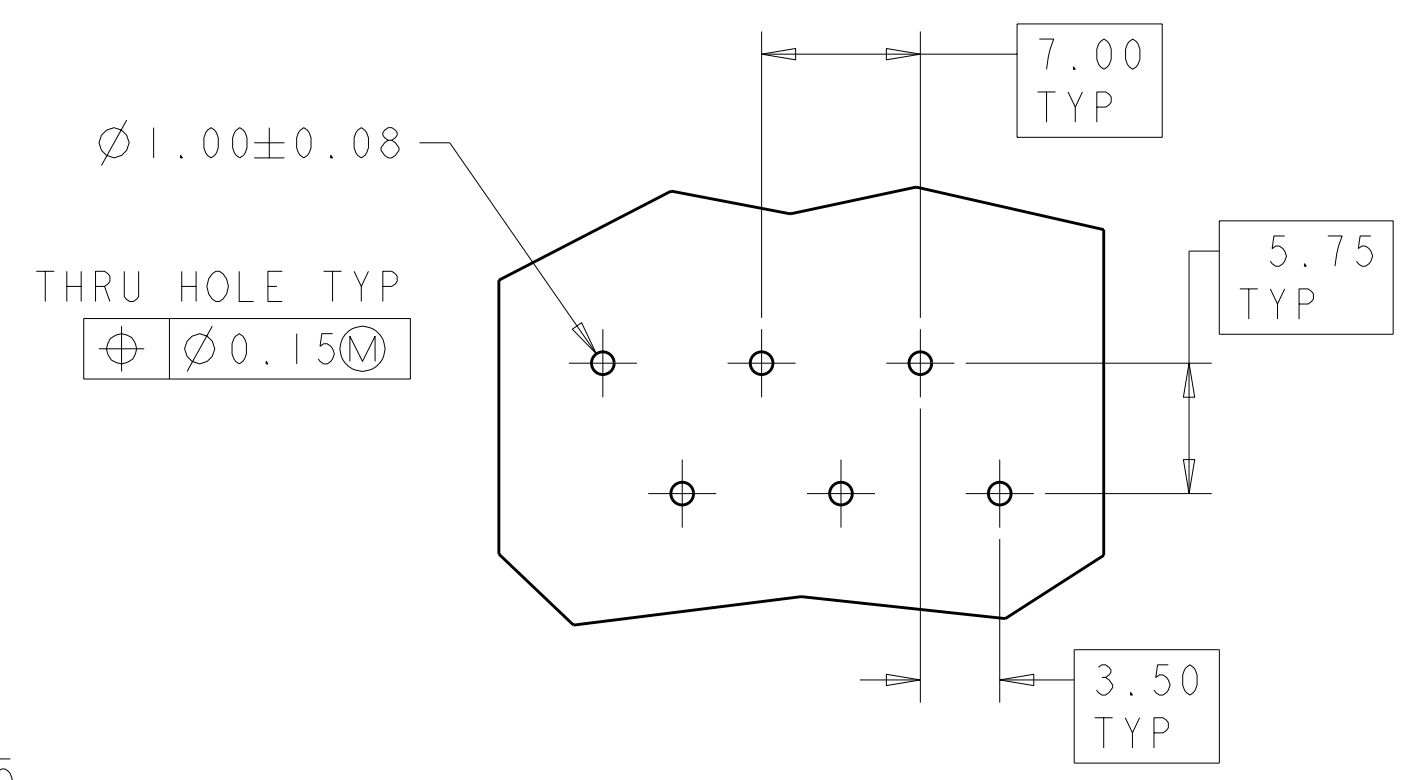
- 1 MATERIAL: HOUSING: PBT, UL94-V0, COLOR GRAY.  
CONTACTS: PHOSPHOR BRONZE.
- 2 PLATING: CONTACTS: PRE TIN, 2.5µm MIN  
OVER 0.76µm MIN NICKEL  
(CONTACT EDGES WILL BE UNPLATED)
- 3 WIRE SIZE: 18AWG SOLID CONDUCTOR  
Ø2.16mm MAXIMUM INSULATION.  
STRIP LENGTH = 9.53±1.00.
- 4 WHEN WIRE INSULATION STRIP LENGTH IS 9.53mm,  
CONDUCTOR TIP WILL BE 1.08mm NOMINAL FROM  
BOARD SURFACE WHEN INSULATION BOTTOMS  
IN HOUSING CAVITY.



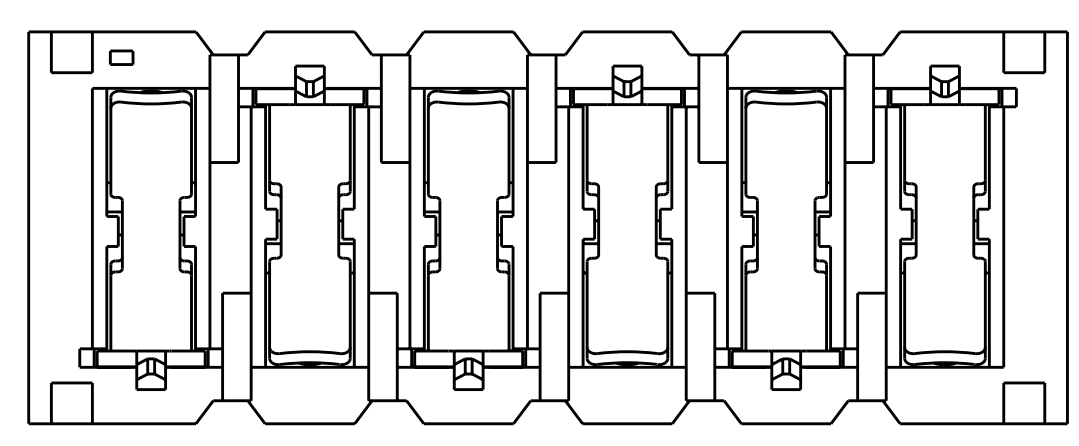
SCALE 3:1



SECTION E-E



PCB HOLE LAYOUT  
VIEWED FROM CONNECTOR MOUNTING SIDE  
SCALE 3:1



TRAY	6	1969365-1
PACKAGING	NO OF POSN	PART NO

THIS DRAWING IS A CONTROLLED DOCUMENT FOR TYCO ELECTRONICS CORPORATION IT IS SUBJECT TO CHANGE AND THE CONTROLLING ENGINEERING ORGANIZATION SHOULD BE CONTACTED FOR THE LATEST REVISION.		DWN JR RUTH 04JUN10	Tyco Electronics Harrisburg, PA 17105-3608	
DIMENSIONS: mm		CHK DON DECKER 04JUN10	NAME ASSEMBLY, WIRE CONNECTOR, SCREWLESS, VERTICAL	
TOLERANCES UNLESS OTHERWISE SPECIFIED: 0 PLC ± 1 PLC ±0.5 2 PLC ±0.13 3 PLC ± 4 PLC ± ANGLES ± FINISH		APVD DON DECKER 04JUN10	SIZE 108-2059	
MATERIAL		PRODUCT SPEC 114-13075	CAGE CODE A200779	
1 -		APPLICATION SPEC 114-13075	DRAWING NO 1969365	
2 -		WEIGHT -	RESTRICTED TO -	
CUSTOMER DRAWING		SCALE 6:1		SHEET 1 OF 1 REV A